

# UAV Development for Rescue Using Wireless Robotic Arm

M. Sivakumar<sup>1</sup>, R. Balaji<sup>2</sup>, M. Balakumaran<sup>3</sup>, S. Balasubash<sup>4</sup>, C. Chandru<sup>5</sup>

Associate Professor, Department of ECE, Adhiyamaan College of Engineering, Hosur, Tamilnadu, India<sup>1</sup>

U.G Student, Department of ECE, Adhiyamaan College of Engineering, Hosur, Tamilnadu, India<sup>2,3,4,5</sup>

**ABSTRACT:** In the event of a disaster, there is an impending need for robotic assistance in order to conduct an effective search and rescue operation using wireless technologies using transmitter and receiver which is used to access the quad-controlled robotic arm. A Prototype QCRA is developed. QCRA can be used to pick an object from one place and place at another depending upon the distance thereby reducing the human effort greater. The platform for UAV is QUAD rotor type helicopter, simply referred to as QUAD-COPTER. A platform for the mechatronic system integration was devised to combine the mechanical, electronic and software elements of the research. Once the system was modelled mathematically, a control strategy was implemented to achieve stability.

**KEYWORDS:** QUADCOPTER, FRAME, ESC, GRIPPER, CONTROLLER (KK 2.1.5)

## I. INTRODUCTION

In the course of the most recent couple of years, we have seen a huge development in the assembling and offers of remote control airborne vehicles known as Quadcopters. These Unmanned Aerial Vehicles have four arms and settled contribute propellers which are set an X or + arrangement with X being the favored design. They are now and again alluded to as Drones, Quadrotors or Quadrocopters. In the standard arrangement, two propellers will turn a clockwise way with the other two turning an anticlockwise way enabling the art to vertically climb, drift noticeably all around and fly an assigned way. The Quadcopter is a straightforward configuration with not many moving parts and has quickly turned into a most loved vehicle for remote control devotees and is generally being utilized as a viable Aerial photographic stage. A vast greater part of the Quadcopters was initially worked by specialists who comprehended the straightforwardness of the vehicle. By including four engines and four propellers to a lightweight edge developed of light wood, carbon fiber, or fiberglass at that point interfacing it to a remote control transmitter by means of a little control board fitted with a gyroscopic adjustment framework and associated with a Lipo battery these art were generally easy to build.

## II. RELATED WORKS

The utilization of this innovation made a stage to find out about the unmanned flying vehicles, for example, a Quadcopter utilizing automated arm. This extends the extent of the electrical building instruction to incorporate the control and the comprehension of the mechanical parts.

The Quadcopter has numerous applications that we are intrigued to create like mapping and video spilling particularly in a debacle and unsafe region. It likewise opens up the conceivable outcomes to widen the comprehension and utilization of control frameworks, adjustment, man-made consciousness.

Quadcopter unmanned aeronautical vehicles are utilized for observation and surveillance by military and law authorization organizations, just as inquiry and salvage missions in urban situations. The military utilization of unmanned flying vehicles (UAVs) has developed due to their capacity to work in hazardous areas while keeping their human administrators at a protected separation. The bigger UAVs additionally give a dependable long length, financially savvy, the stage for observation just as weapons. They have developed to wind up an

Organized by

Department of ECE, Adhiyamaan College of Engineering, Hosur, Tamilnadu, India

essential apparatus for the military. One such model is the Aeryon Scout, made by Canadian organization Aeryon Labs which is a little UAV that can discreetly drift set up and utilize a camera to watch individuals and articles on the ground. The objective is to a configuration, actualize, and test a steady flying Quadcopter that can be utilized to pick and place an item starting with one spot then onto the next and to pick a current Quadcopter pack and add the expected parts to give the Quadcopter the capacities to accumulate and log information self-rulingly.

### III.WORKING PRINCIPLE

The rule and working of a propeller depend on Bernoulli's Principle and Newton's Third Law Bernoulli's guideline expresses that for an inviscid stream, an expansion in the speed of the liquid happens all the while with a diminishing in weight or abatement in the liquid's potential vitality. Newton's third law expresses that each activity has an equivalent and inverse response. An airfoil of a propeller is formed with the goal that wind streams quicker ludicrous than under the base. There is, consequently, a more prominent weight beneath the airfoil than above it. This distinction in weight creates the lift. The lift coefficient is a dimensionless coefficient that relates to the lift. Generated by a streamlined body, for example, a wing or complete airship, the dynamic weight of the liquid stream around the body, and a reference region related to the body.

### IV.BLOCK DIAGRAM

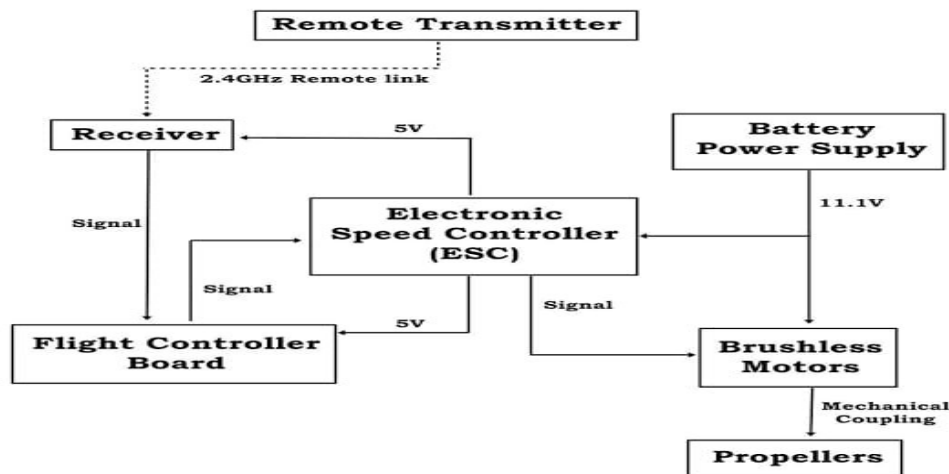


fig: system block diagram

### V.MECHANISM

The Quadcopter can be portrayed as a little vehicle with four propellers appended to the root situated at the cross edge. This go for settled rotors is utilized to control the vehicle movement. The velocities of these four rotors are free. By free pitch, roll and yaw disposition of the vehicle can be controlled effectively. Pitch, roll and yaw frame of mind of a Quadcopter.

***HOVERING OR STATIC POSITION:***

The drifting or static position of the Quadcopter is finished by two sets of rotors, by pivoting in a clockwise or counter-clockwise individually with a similar speed. By two rotors turning in clockwise and counter-clockwise position, the all-out total of response torque is zero and this enables the Quadcopter to be in a drafting position.

***FORWARD AND BACKGRUOND MOTION:***

Forward (in reverse) movement is constrained by expanding (diminishing) speed of the back (front) rotor. Diminishing (expanding) back (front) rotor's speed all the while will influence the pitching edge of the Quadcopter.

***LEFT AND RIGHT MOTION:***

For left and right movement, it tends to be constrained by changing the yaw edge of the Quadcopter. Raw edge can be constrained by expanding (diminishing) counter-clockwise rotors speed while diminishing (expanding) clockwise rotor speed.

***OPERATIONS:******ALTITUDE HOLD MODE***

At the point when height hold mode is chosen, the throttle is consequently controlled to keep up the present elevation. Move, Pitch and yaw work equivalent to in Stabilize mode implying that the pilot specifically controls the roll and pitch lean edges and the heading.

***RTL MODE***

RTL model (Return-To-Launch mode) explores Copter from its present position to drift over the home position. The conduct of RTL mode can be constrained by a few customizable parameters. This page portrays how to utilize and tweak RTL mode.

**VI.SOFTWARE ANALYSIS**

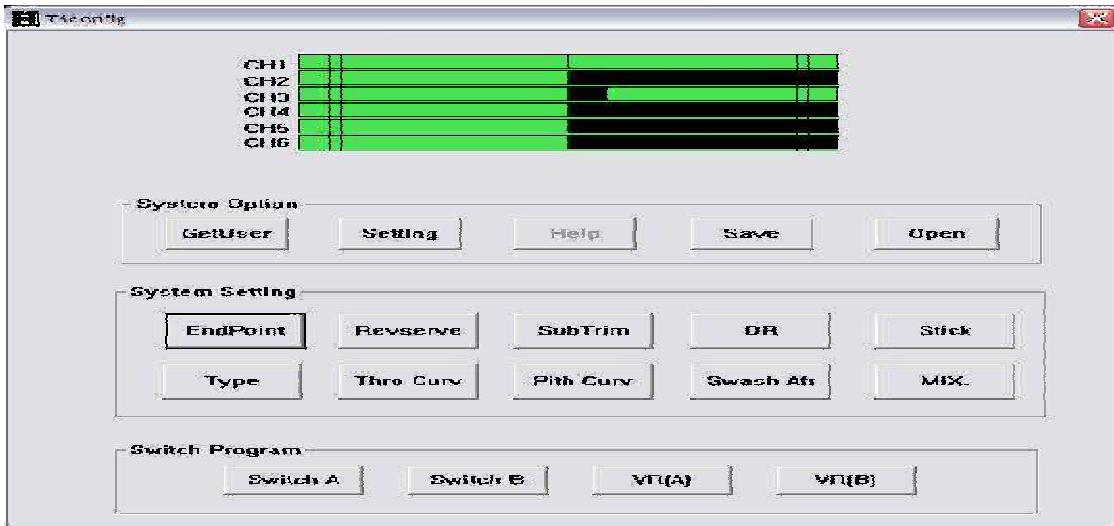
In the undertaking,he program is dumped to the controller through Arduino. Arduino is a device for seeming well and good and control a greater amount of the physical world than your personal computer. It's an open-source physical processing stage dependent on a straightforward microcontroller board, and an improvement domain for composing programming for the board.

The Arduino programming language is an execution of Wiring, a comparable physical figuring stage, which depends on the Processing site and sound programming condition.

Computerized Radio Software

This is the product which is utilized to set PID Control Settings. Here we can set the diverse channels to be utilized for Radio transmitter and Receiver. Show that is utilized is MODEL-2. Diverse sorts of settings are accessible as:

1. ACRO
2. HELI-120
3. HELI-90
4. HELI-140



*fig: radio software*

**VII.CONCLUSION**

According to the plan particulars, the quadcopterself settles utilizing the variety of sensors coordinated on it. It achieves a fitting lift and gives observation of the territory through the camera mounted on it. It acts fittingly to the client determined directions given by means of a remote controller.Its motivation is to give continuous sound/video transmission from zones which are physically in-open by people. In this way, its usefulness is checked under human supervision, hereafter being helpful towards military applications. It is anything but difficult to move, accordingly giving adaptability in its development. It very well may be utilized to give reconnaissance around evening time through the utilization of infrared cameras. The framework can additionally be upgraded for future prospects.

**VIII. RESULT ANALYSIS**

In the wake of arranging every one of the parts, gathering as required, designing Software, at last, we acquired our quadcopter which is appeared as follows. We have to test the Acceleration Calibration each time when we change the ground surface area.



*fig:experimental result*



ISSN (Online) : 2319 - 8753  
ISSN (Print) : 2347 - 6710

**International Journal of Innovative Research in Science, Engineering and Technology**

*An ISO 3297: 2007 Certified Organization*

*Volume 8, Special Issue 1, March 2019*

**7<sup>th</sup> National Conference on Frontiers in Communication and Signal Processing Systems (NCFCSPS '19)**

**19<sup>th</sup>-20<sup>th</sup> March 2019**

**Organized by**

**Department of ECE, Adhiyamaan College of Engineering, Hosur, Tamilnadu, India**

## REFERENCES

- [1] R. Sujitha,A. Devipriya“Automatic Identification of Accidents and to Improve Notification using Emerging Technologies”,2015 International Conference on Soft-Computing and Networks Security (ICSNS), 10.1109/ICSNS.2015.7292412.
- [2] AravindaB ,Chaithralakshmi C , Deeksha , Ashutha K , "Sensor Based Accident Prevention System",International Journal Of Innovative Research In Electrical, Electronics, Instrumentation And Control Engineering, Vol. 4, Issue 6, June 2016.
- [3] Khirod Chandra Sahoo,Umesh Chandra Pati, "IoT based intrusion detection system using PIR sensor", 2017 2nd IEEE International Conference on Recent Trends in Electronics, Information & Communication Technology (RTEICT).
- [4] PemaChodon, Devi Maya Adhikari, Gopal Chandra Nepal, RajenBiswa, SangayGyeltshen, Chencho," Passive Infrared (PIR) Sensor Based Security System", (IJECS) International Journal of Electrical, Electronics and Computer Systems. Vol: 14 Issue: 2, June 2013.
- [5] R. Matousek, Member, IAENG, P. Minar, S. Lang and P. Pivonka," HC12: Efficient Method in Optimal PID Tuning", Proceedings of the World Congress on Engineering and Computer Science 2011 Vol I WCECS 2011, October 19-21, 2011, San Francisco, USA.